

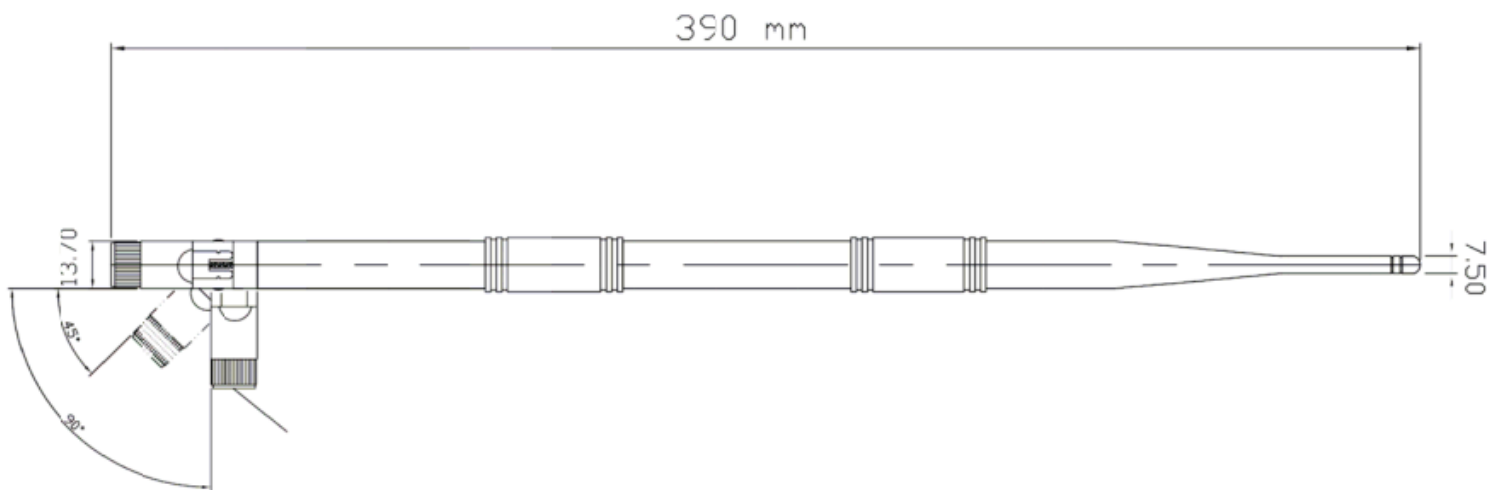


2.4G DIPOLE 9DBI ANTENNA FOR SMA MALE REVERSE POLARITY

Part Number: LM254

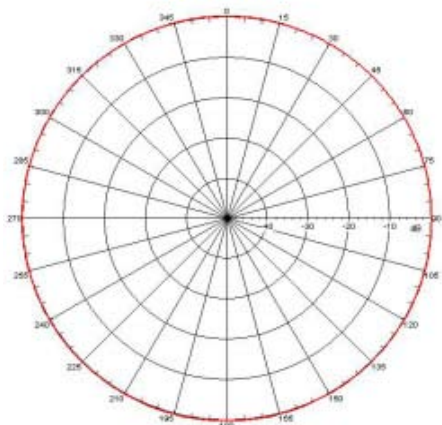


Type: Dipole
 Frequency: 2400~2500MHz
 Gain: 9Dbi
 Polarization: Linear Vertical
 SWR: $\leq 1.5:1$
 Impedance: 50 Ω
 Base
 Connector: SMA Male Reverse Polarity
 Weight: 60g
 Size: H 390mm x W 13.7mm x D 13.7mm
 Certification: RoHS

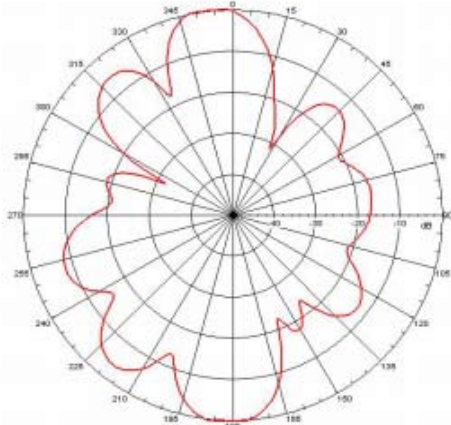


ANTENNA CONNECTOR: SMA PLUG RP (Option)

H-PLANE



E-PLANE



Contact



Birmingham Office

LM Technologies Ltd
 Unit 10 Caroline Point
 62 Caroline Street
 Birmingham
 B3 1UF, UK.
 Tel : 0121 200 1375
 Fax: 0870 112 7636

London Office

LM Technologies Ltd
 Unit 19 Spectrum House
 32-34 Gordon House Road
 London
 NW5 1LP, UK.
 Tel : 0207 428 2647
 Fax: 0870 112 7636



2.4G DIPOLE 9DBI ANTENNA FOR SMA MALE REVERSE POLARITY

Part Number: LM254

